

Instructions



TVF16 Zero-Clearance Dual Rackmount Adapter

075-0646-00

Warning

The servicing instructions are for use by qualified personnel only. To avoid personal injury, do not perform any servicing unless you are qualified to do so. Refer to all safety summaries prior to performing service.

www.tektronix.com



075064600

Copyright © Tektronix, Inc. All rights reserved.

Tektronix products are covered by U.S. and foreign patents, issued and pending. Information in this publication supercedes that in all previously published material. Specifications and price change privileges reserved.

Tektronix, Inc., P.O. Box 500, Beaverton, OR 97077

TEKTRONIX and TEK are registered trademarks of Tektronix, Inc.

Installation Safety Summary

Only qualified personnel should perform service procedures. Read this *Installation Safety Summary* and the *General Safety Summary* located in the product manual before you perform these installation procedures.

To avoid potential hazards, use this product only as specified.

Disconnect Power Prior to Installation. To avoid electric shock, disconnect the power cord from the mains power before you install the kit.

Kit Description

This kit provides parts and instructions for installing two AVDC100 instruments into a standard equipment rack using the TVF16 adapter.

The TVF16 adapter mounts two AVDC100 instruments side-by-side with zero vertical clearance. The zero vertical clearance allows you to mount other equipment in your equipment rack directly above or below the TVF16 adapter.



CAUTION. *To prevent possible damage to your instrument from overheating, which could include the failure of electrical components, be sure to contact a Tektronix, Inc. representative before you install the TVF16 adapter on Tektronix instruments other than the AVDC100. The Tektronix representative will be able to tell you the rack-mounting space requirements of other Tektronix equipment.*

The TVF16 adapter allows you to mount other instruments directly above and below the instruments mounted in the adapter (zero vertical clearance). The AVDC100 is designed to withstand the heat and restricted air flow that may result from other instruments being mounted directly above and below the TVF16 adapter.

Most manufacturer's test equipment, including those made by Tektronix, are not designed for the zero vertical-clearance spacing in the equipment rack allowed by the TVF16 adapter. To prevent possible damage to adjoining test equipment from overheating, be sure to consult the documentation provided with other test equipment to locate their spacing and airflow requirements before you install any test equipment directly above or below the TVF16 adapter.

Products

AVDC100 only

Minimum Tool and Equipment List

Required tools and equipment

Pozidriv screwdriver with a #2 Phillips tip

Measuring tape

Kit Parts List

The numbers in the figure/item number column of the following table correspond to the item numbers shown in Figure 1.

Figure/item number	Quantity	Part number	Description
1-1	2 EA	407-4853-00	BRACKET; RACKMOUNT, 10.400 L, 0.100 AL
-2	1 EA	407-4854-00	BRACKET; RACKMOUNT, OUTSIDE LEFT, 0.080 AL
-3	8 EA	211-0538-00	SCREW, MACHINE; 6-32 X 0.312, FLH, 100 DEG, STL CD PL, POZ
-4	1 EA	407-4855-00	BRACKET; RACKMOUNT, INSIDE LEFT, 0.062 AL
-5	1 EA	407-4857-00	BRACKET; RACKMOUNT, INSIDE RIGHT, 0.062 AL
-6	1 EA	407-4856-00	BRACKET; RACKMOUNT, OUTSIDE RIGHT, 0.080 AL
-7	12 EA	212-0535-00	SCREW, MACHINE; 10-32 X 0.312, TRH, STL NI PL, POZ
-8	6 EA	212-0070-00	SCREW, MACHINE; 8-32 X 0.312, FLH, 100 DEG, STL CD PL, POZ
-9	8 EA	220-0160-00	NUT, CLIP ON; 10-32, RACK FRAME MOUNTING NUT, CLIP ON BRACKET WITH CAPTIVE NUT
-10	6 EA	212-0004-00	SCREW, MACHINE; 8-32 X 0.312, PNH, STL CD PL, POZ
-11	8 EA	211-0507-00	SCREW, MACHINE; 6-32 X 0.312, PNH, STL CD PL, POZ

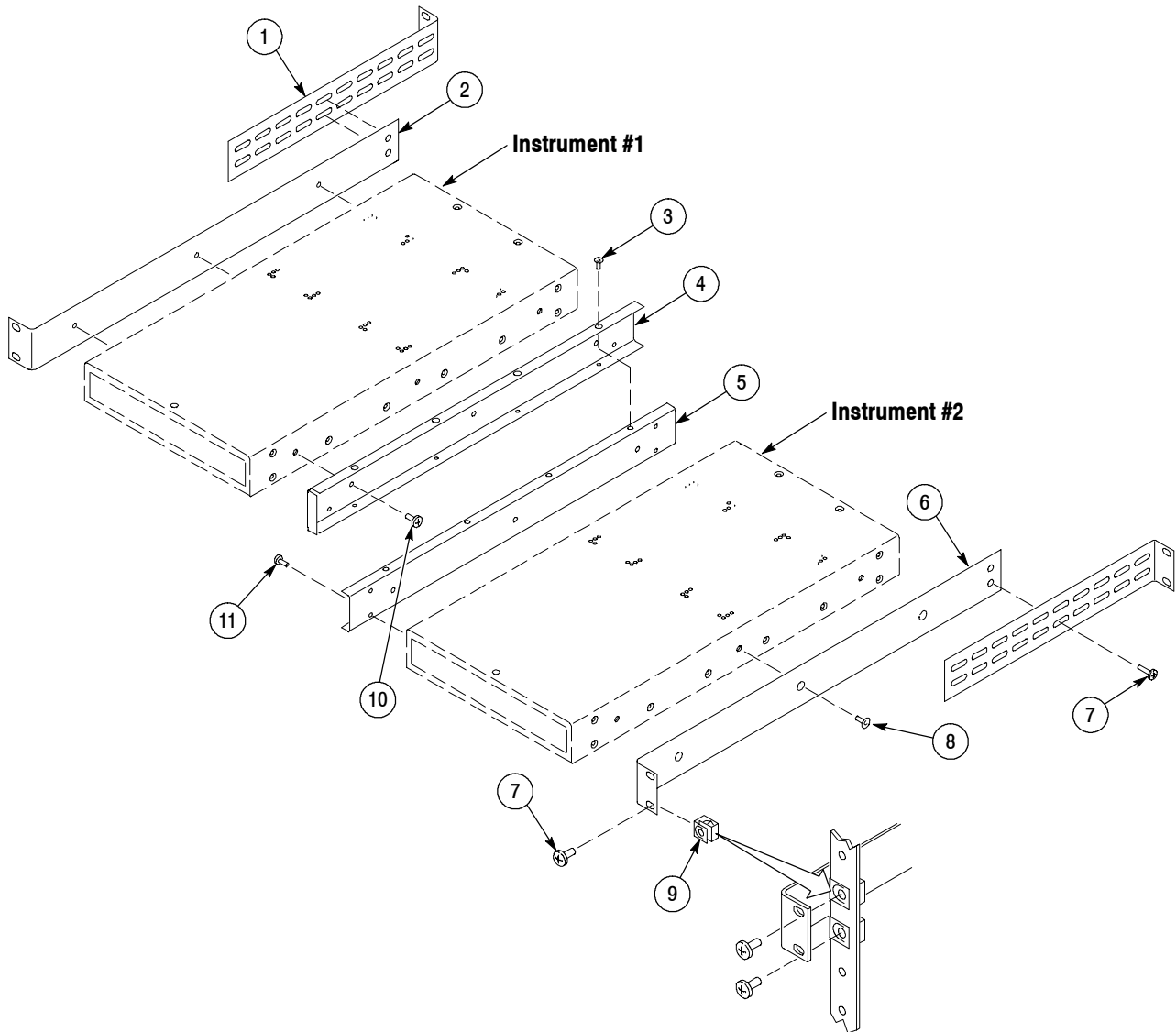


Figure 1: Exploded view of TVF16 assembly

Installation Instructions

These instructions are for personnel who are familiar with servicing the product. If you need further details for disassembling or reassembling the product, refer to the appropriate product manual. Contact your nearest Tektronix, Inc. Service Center or contact Tektronix Factory Service for installation assistance.

Installing the Instruments in the Rackmount Adapter

NOTE. The numbers listed in brackets [X] in the following procedure refer to the parts supplied in this kit. The numbers correspond to the item numbers shown in the kit parts list and in Figure 1 on page 5. Refer to Figure 1 as needed to identify and orient the parts correctly during assembly.

To identify which instrument is being referred to in the following procedures, the left-side instrument is referred to as instrument #1 and the right-side instrument is referred to as instrument #2.

Assembling Instrument #1

1. Remove the four cover screws from the right side of instrument #1 as shown in Figure 2. You will not use these removed screws during the TVF16 installation.

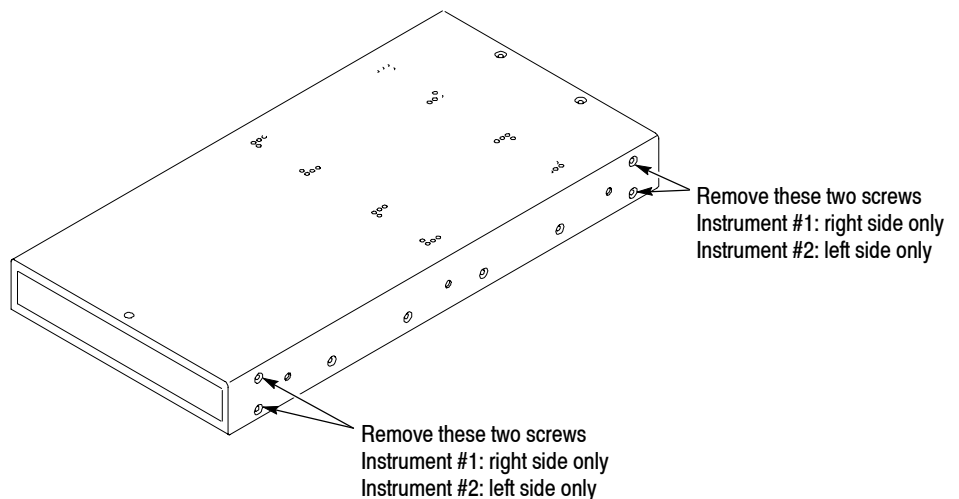


Figure 2: Removing the cover screws (AVDC100 only)

2. Install the support bracket [4] on the right side of instrument #1 using three screws [10]. This bracket has one closed end which faces the front of the instrument. See Figure 1.
3. Install two screws [11] into each end of the bracket [4] (total of four screws). These screws replace the four screws you removed in step 1.

NOTE. *The outside support brackets [2] and [6] appear visually similar, but they are directional. The proper bracket for each side of the assembly will mount vertically flush with each instrument. Bracket [2] is marked with an “L” and bracket [6] is marked with an “R” to help identify the brackets.*

4. Install the support bracket [2] (marked with an “L”) on the left side of instrument #1 using three screws [8]. The ear of the bracket should face the front of the instrument. See Figure 1.
5. Set instrument #1 aside until you assemble instrument #2.

Assembling Instrument #2

1. Remove the four cover screws from the left side of instrument #2 as shown in Figure 2. You will not use these removed screws during the TVF16 installation.
2. Install the support bracket [5] on the left side of instrument #2 using three screws [10]. This bracket is directional. For AVDC100 instruments, be sure that all of the mounting holes align before you install the bracket.
3. Install two screws [11] into each end of the bracket you just attached to instrument #2 (total of four screws). These screws replace the screws you removed in step 1.
4. Install the support bracket [6] (marked with an “R”) on the right side of instrument #2 using three screws [8]. The ear of the bracket should face the front of the instrument. See Figure 1.

Assembling the Instruments Together

1. Position instrument #1 to the left of instrument #2.
2. Align the instruments so the bracket on the left side of instrument #2 slides inside of the bracket on the right side of instrument #1.
3. Use eight screws [3] to attach the two instruments together through the top and bottom of the two middle brackets. See Figure 1. Leave the screws loose until you have installed all eight screws, then tighten.

Installing the Instrument / Rackmount Assembly in the Equipment Rack

NOTE. The numbers listed in brackets [X] in the following procedure refer to the parts supplied in this kit. The numbers correspond to the item numbers shown in the kit parts list and in Figure 1 on page 5. Refer to Figure 1 as needed to identify and orient the parts correctly during assembly.

Perform the following steps to install the TVF16 rackmount adapter assembly in the equipment rack:

NOTE. You will need to measure the depth of your equipment rack to determine which of the slots in the brackets [1] to use for mounting.

1. Install a bracket [1] on both sides of the instrument / rackmount assembly using two screws [7] for each bracket. Do not tighten the screws. The ear of each bracket should face the rear of the instrument. See Figure 1.
2. Position the instrument / rackmount assembly to the desired position in the equipment rack. Attach the front and rear brackets to the equipment rack using two screws [7] for each of the four brackets (total of eight screws).

NOTE. This kit provides eight clip-on nuts [9] for use on equipment racks that do not have threaded mounting rails. Figure 1 on page 5 shows how to attach the nuts to the mounting rails of the equipment rack.

3. Tighten the bracket screws that you left loose in step 1 on both sides of the instrument / rackmount assembly.

■ End of document ■

